



### Rider Vertical Windlass

The Rider is a vertical application windlass perfect for boats with limited deck space. This unit is composed of anodized aluminum which is a durable element when dealing with harsh marine environments. Additional features include an IP67 watertight motor, anodized aluminum gearbox, and chain stopper. This unit is sold complete with the windlass, solenoid unit, clutch handle and mounting hardware.

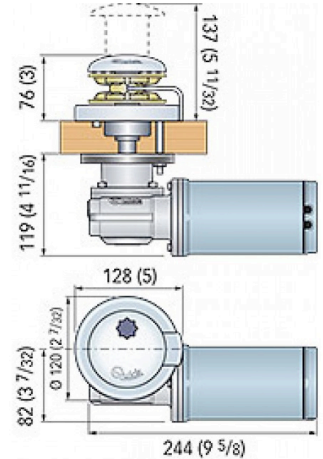


**PRICES VALID FOR STOCK ON HAND ONLY!!**

### Rider Series 500W - For Boats 18-29 ft.

-Deck thickness 25/32" - 1-3/16" (20-30mm)

<b>94-346A</b>	500W, 12V w/ Drum	6mm Chain	LIST	
<b>94-351A</b>	500W, 12V w/ Drum	1/4" Chain	<b>\$ 1092.25</b>	<b>\$ 649.00</b>
			<b>\$ 1145.25</b>	<b>\$ 649.00</b>



### Eagle Horizontal Windless

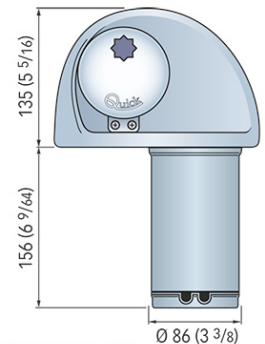
Horizontal windlasses, Base in anodized aluminum in hard oxide, With and without drum, Integrated sensor and magnet for chain counter, Manual Free-Fall system, and IP66 watertight motor



### Eagle Series 300W - For Boats 16-23 ft.

-Deck thickness 25/32" - 1-9/16" (20-40mm)

<b>E300</b>	300W, 12V	6mm Chain	LIST	
			<b>\$ 1092.25</b>	<b>\$ 399.00</b>
				<b>COSMETIC MARKS</b>



### Eagle Series 500W - For Boats 20-29 ft

<b>E500</b>	500W, 12V	6mm" Chain	LIST	
			<b>\$ 1145.25</b>	<b>\$ 699.00</b>

